

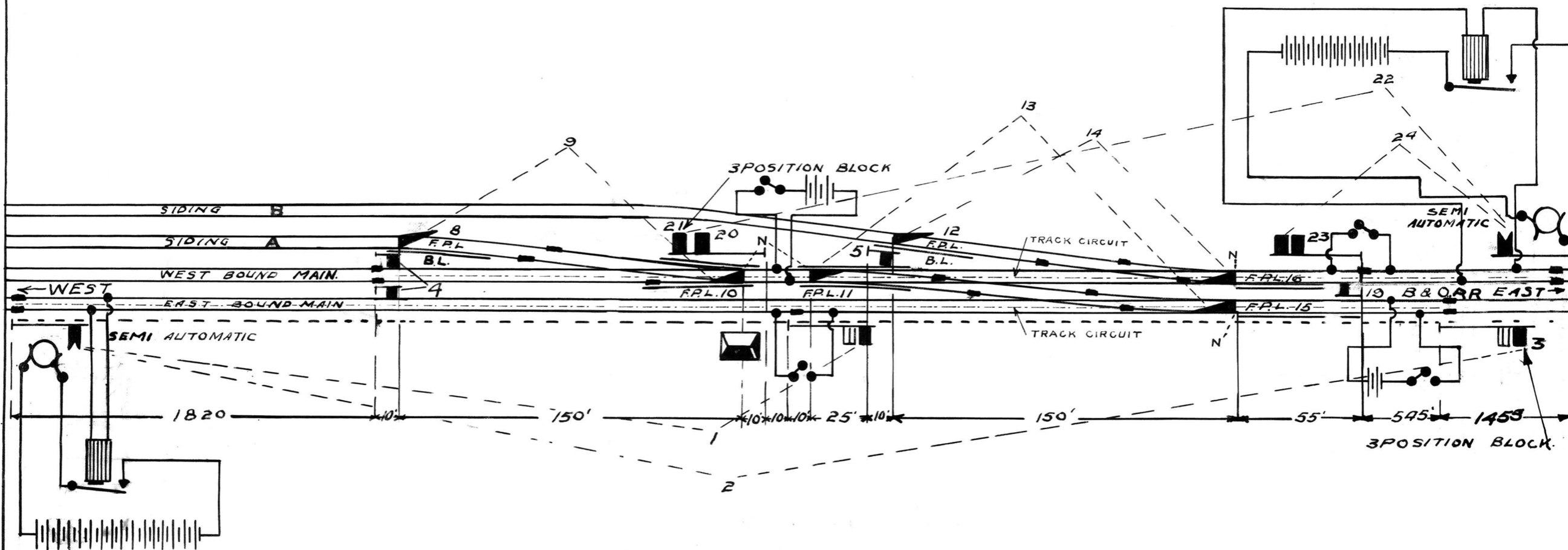
NEW CASTLE JCT. YARD, PA.

(EAST END OF)

B. & O. R. R.

INTERLOCKING DIAGRAM

NOT TO SCALE



NOTE N = INSULATED SWITCH

STYLE A MACHINE	
11	LEVERS FOR 12 SIGNALS
3	" " 6 SWITCHES
6	" " 6 F.P. LOCKS
20	WORKING LEVERS
4	SPARE LEVERS 6-7-17-18
24	LEVER FRAME

PNEUMATIC SIGNAL CO. ROCHESTER, N. Y.		OCT. 31, 1903	L. B.
A	MAR. 17, 1904		L. B.
B	JUNE 14, 04		J. H. G.
1223-B			